

RainSoft®

Environmental Products for the Home ...since 1953

P-12 HYDREFINER DRINKING WATER SYSTEM

Owner's Manual



This product is manufactured in an ISO 9001:2000 certified facility.



RainSoft P-12 Hydrefiner models 9878 and 9879 have been tested and certified by NSF International against NSF/ANSI 42 and 53 for the reduction of claims specified on the Performance Data Sheet. Refer to the manufacturer's Performance Data Sheets for the specific reduction claims and certification.

Not approved for use in California. Please request California-specific product literature from your local RainSoft Dealer.

Part No.: 15916
Rev: C 01/07

Table of Contents

Operational Specifications.....	3
Product Certification Information.....	3
Installation Instructions	4–5
System Start Up.....	5
Maintenance Requirements.....	6
How to Change the Filter Cartridge	6
Troubleshooting Guide	7
Exploded View and Parts List	8
Warranty Information	9
Installer Specification Sheet	10

Congratulations on your purchase of one of the finest Drinking Water Systems available to homeowners.

This Owner's Manual is designed to assist with the operation, maintenance, and installation of the Hydrefiner System. It is our sincere hope that this manual is clear, concise, and helpful to you as a new owner.

Questions? If you have any questions regarding the installation, operation or servicing of this system, please contact your local RainSoft Dealer. Your RainSoft Dealer will be familiar with your particular situation, your water conditions, etc. and should be able to address your concerns promptly and efficiently.

Operational Specifications

Plumbing

1/4 inch NPT

Water Pressure

40 psi–100 psi (2.76 bar–6.89 bar)

Operating Temperatures

50° F–100° F (10 C–37.8 C)

Shut Off Valve

A shut off valve should be used to stop the flow of water to the Hydrefiner during maintenance and extended periods of inactivity.

Additional Specifications

Do not install this system where water is microbiologically unsafe or of unknown quality without adequate disinfection before or after the system. Systems certified for cyst reduction may be used on disinfected waters that contain filterable cysts.

This system must be installed in accordance with all applicable state and local laws and regulations.

This system must be installed in an area not affected by extreme heat, cold or the elements. The selected installation area must be adequate for easy service of all parts.

This system is designed to treat cold water only. The installation must be on a cold water supply.

Data Chart

Model #	Maximum Service Flow Rate	Service Capacity
9878	0.75 gpm (2.84 lpm)	500 gallons (1890 liters)
9879	0.75 gpm (2.84 lpm)	830 gallons (3142 liters)

Product Certification Information

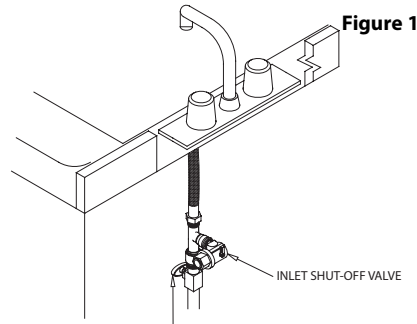
Models 9878 and 9879 conform to NSF/ANSI 42 and NSF/ANSI 53 for the specific performance claims as verified and substantiated by test data. Please refer to the performance data sheets for specific reduction claims.

Water treatment devices sold to retail consumers in California, accompanied by certain health claims, must be certified by the State of California Department of Public Health. This product is not certified in the State of California for the purpose of making health claims.

Installation Instructions

1. Install an Inlet Shut Off Valve (Not Supplied)

- Turn off the cold water supply and open the cold water faucet to relieve any line pressure (see figure 1).
- Install an inlet shut off valve (not supplied) between the existing cold water supply shut off valve and the kitchen faucet, in a way that conforms to state and local plumbing codes (see figure 1).



! Important Note: The shut off valve must have a 1/4 inch connection.

2. Assemble the System

- Remove the filter housing from the packaging.
- Add 1 tablespoon of 5.25% household bleach (unscented) to a bucket of water. Soak the filter housing, rubber spacer, and o-ring in the bleach water for 5 minutes.
- Push the rubber spacer onto the threaded stud located inside the top half of the filter housing (see figure 2).
- Wearing sterile gloves, remove the filter cartridge from the sterile packaging and screw it onto the threaded stud (see figure 2). **DO NOT OVER-TIGHTEN!**
- Lubricate the o-ring with a non-petroleum lubricant and place it on the bottom filter housing flange (see figure 2).
- Put the top and bottom filter housings together and place the retainer band on the flanges. Tighten the hand knob until it feels tight (see figure 3).

! Important Note: Be careful not to contaminate the filter cartridge by touching non-sterile objects.

! Important Note: If the hand knob is not tight, the filter housing may leak.

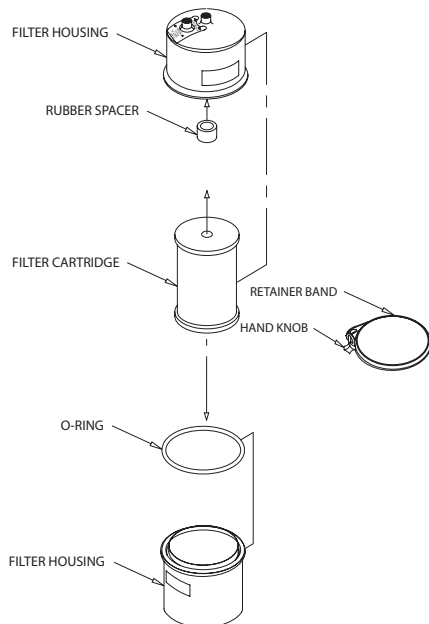


Figure 2

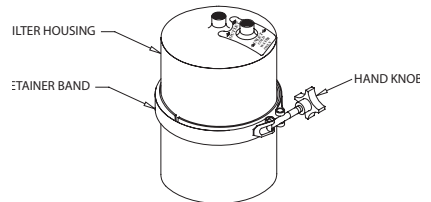


Figure 3

3. Mount the System

- Position the bracket to allow for the height and width of the unit.
- Mount the bracket with the two holes at the top and the single hole at the bottom.
- Tilt the top of the unit towards the wall and slide the retainer band up and into the upper notch on the bracket. Straighten the unit and let the bottom of the retainer band set into the lower notch.

4. Connect the Inlet Shut Off Valve (Not Supplied)

- Use 1/4 inch OD tubing (not supplied) to connect the inlet shut off valve to the inlet of the filter housing (see figure 4). To secure the connection, press the tubing in firmly.

Helpful Tip: Use quick disconnect fittings or add extra tubing for easy system removal during filter changes. Coil the extra tubing so it is out of the way.

5. Install the Faucet (Supplied on Model 9879 Only)

- For Model 9879, please refer to the Filterguard II Monitoring Faucet installation instructions.
- Install the flow restrictor in 3/8 inch OD tubing (not supplied) connected to the outlet of the filter housing.
- Connect the new faucet to the outlet of the filter housing (see figure 4). To secure the connection, press the tubing in firmly.
- For an ice maker connection, install a tee (not supplied) between the outlet and the new faucet. Connect the tubing to the ice maker (see figure 4).

Helpful Tip: Use quick disconnect fittings or add extra tubing for easy system removal during filter changes. Coil the extra tubing so it is out of the way.

Important Note: An installation kit, with a Filtergard II Monitor Faucet, is available from your local RainSoft dealer, order code number 19160.

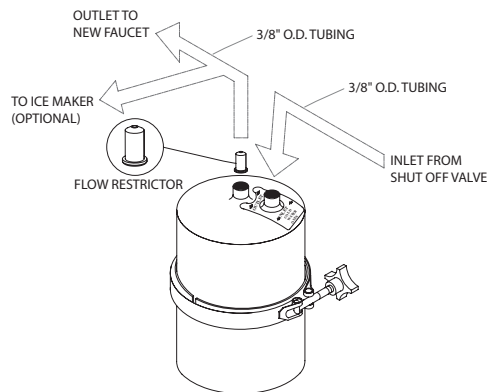


Figure 4

System Start Up

1. Turn on the Cold Water Supply

- Allow water to enter the system and let it stand for 5 minutes.

2. Check for Leaks

- If a leak is present, make the necessary repairs.

3. Flush the System

- Open the new faucet and allow the water to flow for 30 minutes. This process will flush the disinfectant and carbon fines from the system.

Helpful Tip: Additional flushing may be required if carbon fines are still present in the water.

Maintenance Requirements

Replacing the Filter Cartridge

The filter cartridge will eventually become exhausted or consumed and will need to be replaced. RainSoft replacement filter cartridges, order number 17561, are available through your local RainSoft Dealer. If you are unable to order replacement parts from your local RainSoft Dealer, please contact RainSoft at 1-800-860-7638 for assistance.

Testing Your Water

If you are relying on this system to reduce contaminants, we recommend testing your water periodically (2 times a year minimum) to ensure that the system is performing properly. Your local RainSoft Dealer can arrange this testing for a nominal fee.

How to Change the Filter Cartridge

1. Turn off the cold water supply and open the cold water faucet to relieve any line pressure.
2. Disconnect the filter housing from the the mounting bracket.
3. Unscrew the hand knob and remove the retainer band. Separate the filter housing and unscrew the filter cartridge (see figure 5).
4. Add 1 tablespoon of 5.25% household bleach (unscented) to a bucket of water. Soak the filter housing, rubber spacer, and o-ring in the bleach water for 5 minutes.
5. Push the rubber spacer onto the threaded stud located inside the top half of the filter housing (see figure 5).
6. Wearing sterile gloves, remove the new filter cartridge from the sterile packaging and screw it onto the threaded stud (see figure 5). **DO NOT OVER-TIGHTEN!**
7. Lubricate the o-ring with a non-petroleum lubricant and place it on the bottom filter housing flange (see figure 5).
8. Put the top and bottom filter housings together and place the retainer band on the flanges. Tighten the hand knob until it feels tight.
9. Turn on the cold water supply and check for leaks. Flush the new filter cartridge for several minutes or until the water is clear.

Important Note for 9878 Models Only:
For this model, we recommend replacing the filter cartridge every 500 gallons. Your RainSoft Dealer can give you specific replacement schedules based on your water usage and incoming water quality.

Important Note for 9879 Models Only:
This model offers a performance indicator function on the base of your Filterguard II Monitoring Faucet. When the amber light is flashing, the filter cartridge should be replaced. See Filtergard II Monitoring Faucet installation for further details.

Helpful Tip: Place a bucket or container under the unit to catch any water spillage.

Important Note: Be careful not to contaminate the filter cartridge by touching non-sterile objects.

Important Note: If the hand knob is not tight, the filter housing may leak.

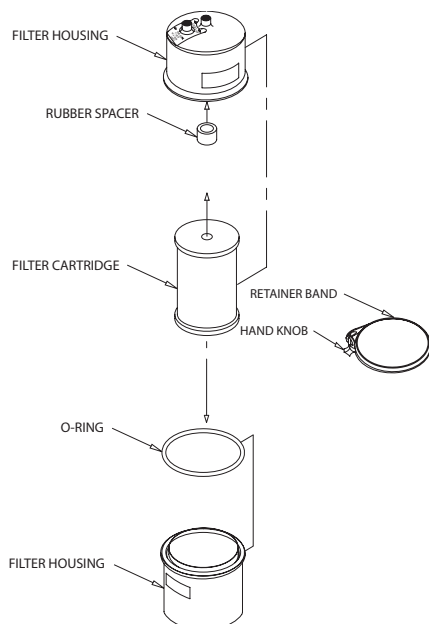


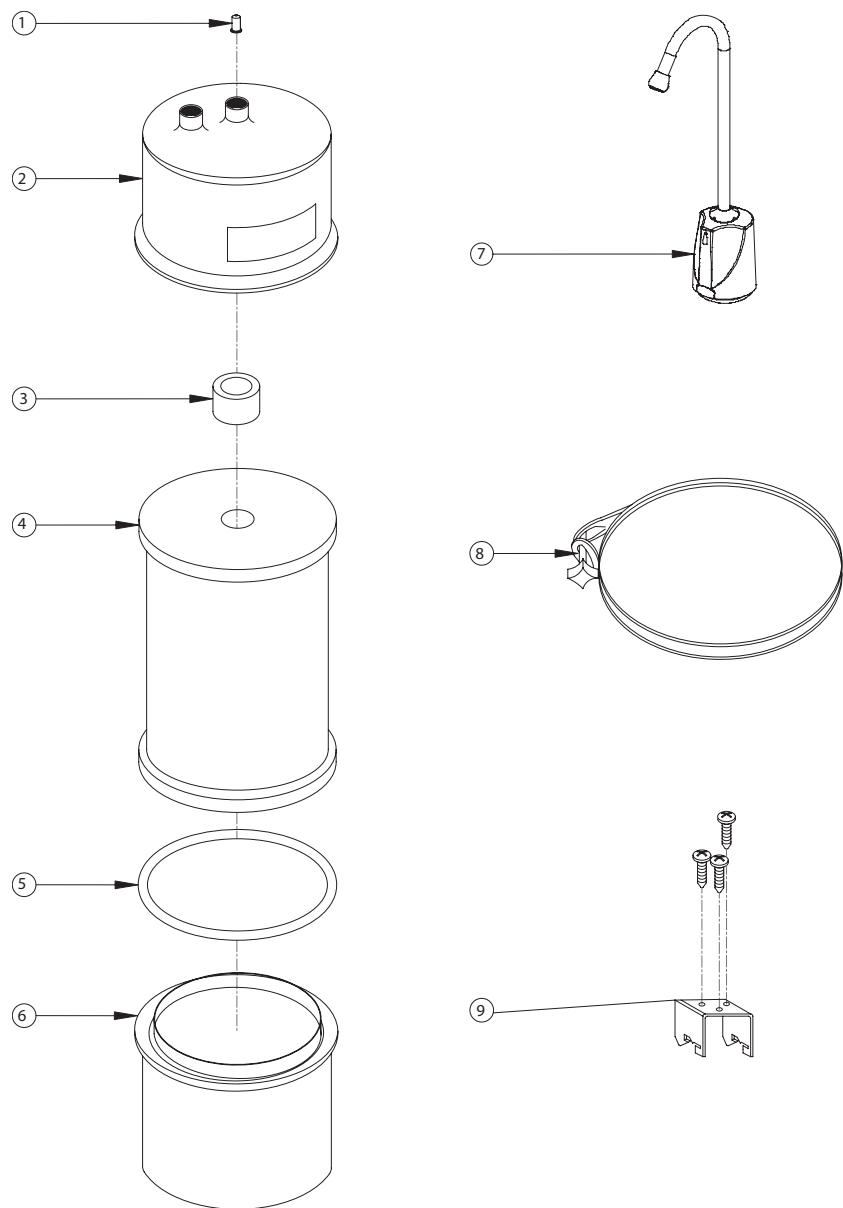
Figure 5

Troubleshooting Guide

Symptom	Cause	Solution
1. Taste/Odor (general)	1. The filter cartridge may be saturated.	1. Replace the filter cartridge.
2. Rotten Egg Odor	1. Typically a sign that H ₂ S (Hydrogen Sulfide) gas, which can occur at any time, is present in the water.	1. Treat the water for hydrogen sulfide reduction by replacing the filter cartridge. This system has not been tested or approved for the reduction of hydrogen sulfide.
3. Odor with Color on the Filter Cartridge	1. H ₂ S (Hydrogen Sulfide) caused by iron (orange/blackish color) and/or decaying organisms (slimy; blotchy colors).	1. Have your water tested for the presence of iron and/or sulfur bacteria; if present, seek professional advice on proper well cleaning/disinfection/treatment. If no iron/sulfur bacteria are detected, then treat the water for hydrogen sulfide reduction using an appropriate device. This system has not been tested or approved for the reduction of iron bacteria, sulfur bacteria, or hydrogen sulfide.
4. "Milky" Color in Water or in Ice Cubes	<p>1. Small air bubbles are passing through the system.</p> <p>2. Air is trapped inside the filter housing.</p> <p>3. Have your water tested for the concentration of total dissolved solids (TDS). The higher the TDS concentration, the cloudier the ice will tend to be.</p>	<p>1. Air bubbles do not affect the performance of the system.</p> <p>2. Open the faucet and let the water run for 3 to 5 minutes after installation and filter changes.</p> <p>3. Reduce the TDS concentration using deionization, distillation, or reverse osmosis. This system has not been tested or approved for the reduction of TDS.</p>

If the troubleshooting guide did not resolve the symptom, please contact your local RainSoft Dealer for service. If you cannot locate your local RainSoft Dealer, please contact RainSoft Customer Service at 1-800-860-7638 or log onto www.rainsoft.com for the name and location of your nearest Dealer.

Exploded View and Parts List



ITEM	QUANTITY	PART NUMBER	DESCRIPTION
1	1	19745	FLOW RESTRICTOR
2	1	13192	STAINLESS STEEL TOP FILTER HOUSING
3	1	13195	RUBBER SPACER
4	1	17561	4.5IN X 7.0IN CARBON BLOCK FILTER CARTRIDGE
5	1	13197	O-RING-428
6	1	13198	STAINLESS STEEL BOTTOM FILTER HOUSING
7	1	18069	FILTERGUARD II MONITORING FAUCET, CHROME (9879 MODELS ONLY)
8	1	13191	RETAINER BAND
9	1	13194	MOUNTING BRACKET AND 3 SCREWS

Limited Lifetime Warranty

For as long as you own the equipment

RainSoft Division of Aquion Water Treatment Products, believing its

HYDREFINER SYSTEM

to be of exceptional quality, hereby warrants said equipment to its first purchaser at retail as follows:

THE FILTER HOUSING IS WARRANTED AGAINST DEFECTS IN MANUFACTURE FOR THE LIFETIME OF THE FIRST PURCHASER AT RETAIL.

THE FILTER CARTRIDGE SERVICE LIFE IS DEPENDENT ON SPECIFIC WATER CONDITIONS AND USAGE. REFER TO THE OWNERS MANUAL FOR RECOMMENDED REPLACEMENT FREQUENCY.

This warranty begins at the time the equipment is first connected for use, and is contingent upon the return of a signed owner's registration card.

This warranty does not require replacement of the entire unit. If the equipment does not perform properly, you should request service from the dealer that sold you the equipment. If you are not satisfied, you should notify our Customer Service Manager. If we are not able to arrange local servicing, you should send the defective part(s) (or, if you prefer, send the entire unit,) directly to the manufacturer, freight prepaid, with proof of purchase and a copy of this warranty. The defective part(s) (or entire unit) will either be repaired or new RainSoft part(s) furnished, for a nominal charge to cover labor, handling, packing and the increase, if any, in the retail price of the part(s) since the date of purchase. Genuine RainSoft parts must be used. Failure to use genuine RainSoft parts will void the warranty and certifications.

This warranty does not include labor charges, and does not cover installation, transportation, or any other claims or torts. Some states do not allow the exclusion or limitation of incidental or consequential damages, so parts of the above limitation or exclusion may not apply to you.

This warranty gives you specific legal rights, and you may also have other rights which vary from state to state. You also have implied warranty rights. In the event of a problem with warranty service or performance, you may be able to go to a small claims court, a State court, or a Federal District Court.

This warranty is void if equipment is not installed and operated according to instructions. It does not apply to damage caused by abuse, accident, neglect, freezing, fire, or other abnormal conditions beyond the company's control. This warranty is void on any part from which the manufacturing date has been removed or made illegible.

Benefits will be provided by various types of RainSoft equipment when installed and operated according to the manufacturer's recommendations. Operational, maintenance and replacement requirements are essential for the product to perform as advertised. All claims are based on the best available information at the time of printing. Manufacturer makes no representations as to the suitability of this equipment for a particular application. Buyer relies entirely on the dealer's recommendations in the purchase of this equipment.

Independent RainSoft dealers may include, together with your RainSoft product, a product or component that is not manufactured by RainSoft or their parent company, AWTP, LLC. Any non-RainSoft product may be covered by the manufacturer of that product, and is not covered by the RainSoft warranty. AWTP, LLC does not warrant that your RainSoft product and the non-RainSoft product will perform properly when used together, and assume no liability therefore.

RainSoft Division of Aquion Water Treatment Products
2080 East Lunt Avenue
Elk Grove Village, Illinois 60007 USA

Installer Specification Sheet

Dealer Name: _____

Phone Number: _____

Installation Number: _____

Installation Date: _____

Model Number: _____

Serial Number: _____

Line Pressure: _____ (psi)

Notes



RainSoft Division of Aquion Water Treatment Products
2080 East Lunt Avenue
Elk Grove Village, Illinois 60007
Main Switchboard: 1.847.437.9400
Customer Service: 1.800.860.7638
www.rainsoft.com